

**BZ 300**

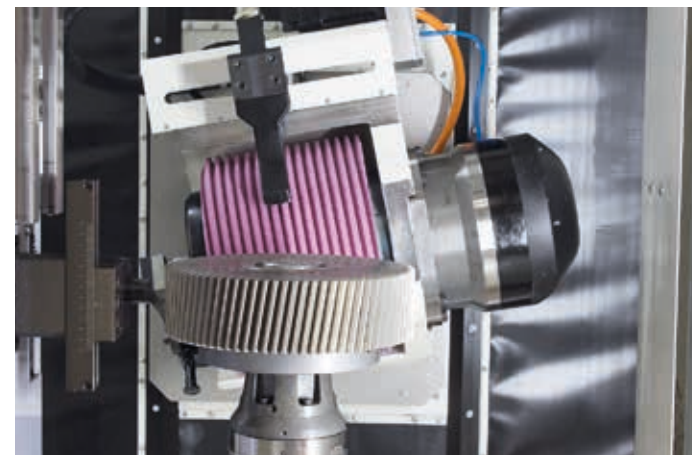
Cost Effectiveness

and Innovation

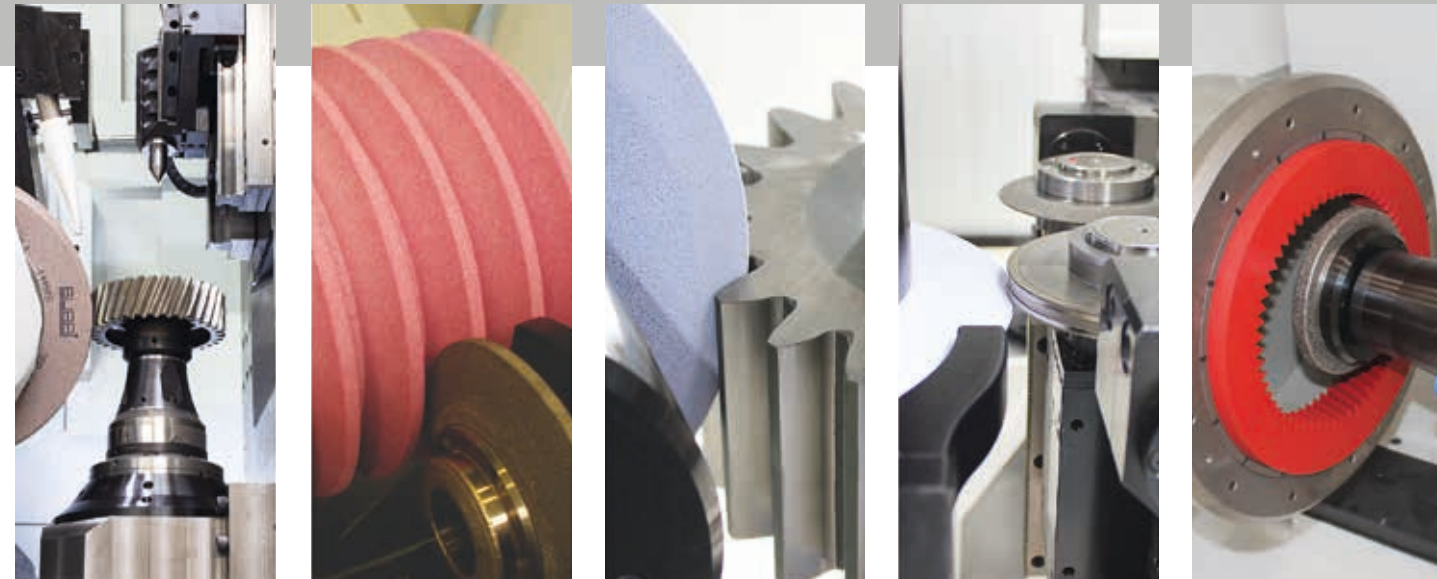
Made in Germany



Profile grinding



Generating grinding



**Our sales network**

**Burri Sales Europe**

Joachim Hildebrandt  
Hans-Niemeyer-Straße 25  
45133 Essen  
Tel.: +49 (0)201 4306 007  
Fax: +49 (0)201 4306 008  
j.hildebrandt@burri.de

**Burri Italy**

Euromedia di Enriore Michele  
Via del Cantone 7  
13020 Breia (VC)  
Tel.: +39 335 631 3160  
michele.enriore@burri.de

**Burri Turkey**

D.E.N. Makina Servis  
2040/2 sok. Selçuk  
3 Giriş 4 Daire 46  
Mavişehir/Karşıyaka  
35590 İzmir  
Werner Riessbeck  
Tel.: +90 5368290724  
w.riessbeck@gmail.com

**Burri America (North)**

MTB – Machine Tool Builders, Inc.  
7723 Burden Road  
Machesney Park, IL 61115  
United States of America  
Tel.: +1 815 636-7502  
Fax: +1 815 636-5912  
kflowers@machinetoolbuilders.com  
kcwarren@machinetoolbuilders.com

**Burri America (South)**

MPD Service  
Indústria e Comércio de Máquinas  
Avenida Roque Gabriel, 1035  
Jardim Morumbi III  
Brazil  
18085-645 Sorocaba - São Paulo  
Tel.: +55 (15) 3228-2885  
mpdservice@mpdservice.com.br  
vendas1@mpdservice.com.br

**Burri Russia**

EMAG OOO  
ul. Akademika Chelomeya 3/2  
117630 Moscow  
Tel.: +7 495 287 0960  
Fax: +7 495 287 0962  
iandronov@emag.com  
akekhter@emag.com

**Burri India Private Limited**

H-5, Saket Cooperative Housing Society  
Shivthirthnagar  
Office Paud Road  
Shivthirthnagar  
Pune-411038, Maharashtra  
Tel.: +91 98 22 77 51 28  
kedar.katre@burri.de

**Burri China, Taiwan**

Corremax International Co., Ltd.  
Rm. 4G-09, 4F, No. 5, Sec. 5, Xinyi Rd.  
Xinyi Dist.  
Taipei City 110  
Tel.: +886 2-2345-2929  
Fax: +886 2-2345-0606  
info@corremax.com.tw  
bob.tsai@corremax.com.tw

**Burri Korea**

Leeron Trading Co., Ltd.  
B/1005, Guwoltechnovalley  
Seonsuchongongwon-ro 9  
Namdong-Ku,  
Incheon, 21582  
Tel.: +82-32-446-5030  
Fax: +82-32-446-5029  
leeron93@hanmail.net

With the newly designed compact grinding spindle with built-in bearings, grinding wheels up to a width of 200 mm can be used without counter bearings. The integrated balancing and acoustic touch system enables a fully automatic setup cycle with the doors closed.

The grinding wheels are mounted directly on the spindle without flange. Thus, the grinding wheel can be changed quickly without auxiliary tools and very ergonomically. Due to the large wheel width of up to 200 mm, segmented grinding worms with roughing, finishing and polishing zones can be used very economically.

The workpiece spindle with water-cooled direct drive is tuned for the high speed synchronisation developed by Burri and prepared for the Burri quick-lock base chuck. After consultation, clamping equipment from other manufacturers can also be used.

The machine bed and the main slide are made of mineral casting, which has a high rigidity and damping as well as a good thermal stability.



Worm grinding

**Technical data:**

<b>Workpiece Ø:</b>	5 – 300 mm*
<b>Module:</b>	0,5 – 7,0
<b>Workpiece length:</b>	650 mm from table to tailstock**
<b>Helix angle:</b>	+45° bis -45°
<b>Workpiece weight:</b>	max. 60 kg (30 kg with loader)
<b>Workpiece speed (max.):</b>	3.000 rpm

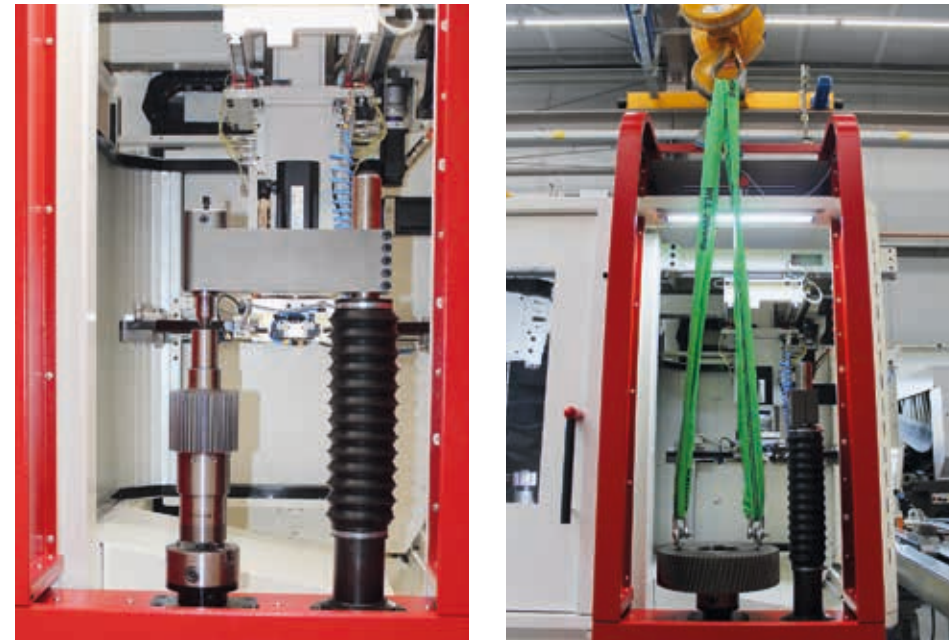
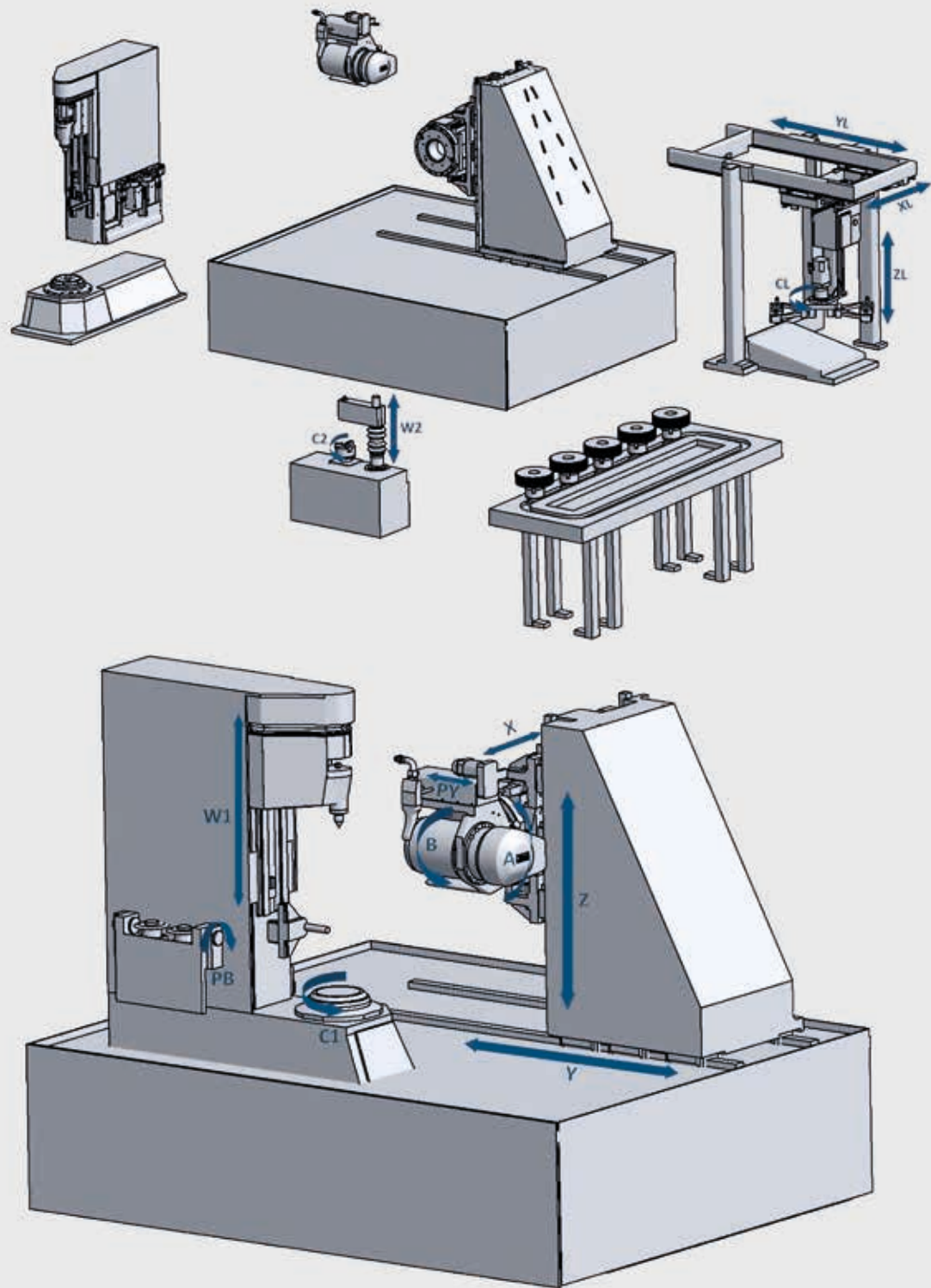
<b>Grinding pass:</b>	400 mm
<b>Cutting speed (max.):</b>	80 m/sec.
<b>Grinding wheel Ø (max.):</b>	300 mm (275 mm)
<b>Grinding wheel width:</b>	200 mm (104 – 200 mm)
<b>Dressing disc Ø:</b>	120 – 140 mm

\*larger diameters on request  
\*\*depending on clamping tool



**Generating -, Profile - and  
Worm grinding machine BZ 300**

**The Burri machine concept**  
**One platform, many possibilities**



The BZ 300 gear grinding center is another Burri innovation built on our unique module-based system and suitable for generating grinding, profile grinding and worm grinding.

A loading station with 4 axes gantry loader is integrated in the machine concept and allows manual or automatic workpiece loading in parallel with machining operations. With this highlight, the machine is therefore suitable for prototypes, small and large series.

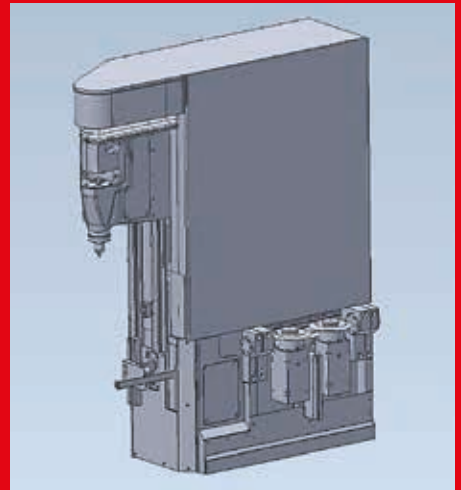
Due to the automatic opening of the loading door over the center of the workpiece a crane loading is easily possible. A swiveling tailstock is available for shaft parts.

The loading station includes the oil centrifuge and can be upgraded with additional functions such as measuring, brushing, laser marking, etc. All this is done simultaneously during machine operation. The gantry loader with double gripper and quick-change system has the great advantage over the ring loader that it is outside of the working area during the set-up process and manual loading and thus the workpiece spindle is freely accessible. For batch production, the loading station can be upgraded with a conveyor belt. Thus, the loading station becomes a SPC/NOK storage. The oil centrifuge function remains.

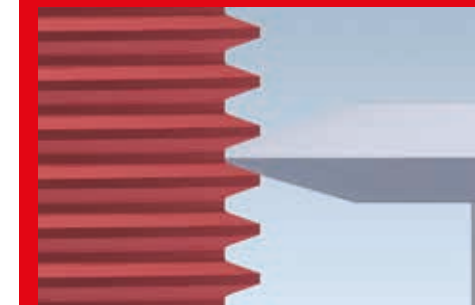


**Tailstock, centering sensor and profiling unit**

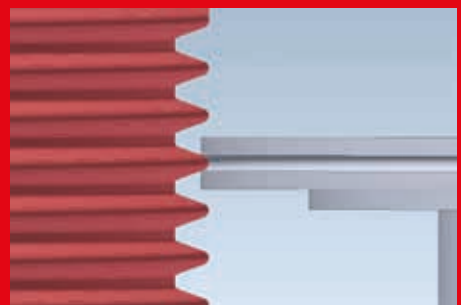
For more flexibility, a second dressing spindle can be integrated for holding the dressers for profile and worm grinding or a radius dresser for root fillet. Both dressing spindles can be swiveled via a NC axis. A measuring device integrated into the overdresser checks the grinding wheel diameter every time the machine is switched on or after each wheel change, so that the maximum cutting speed can be reliably monitored.



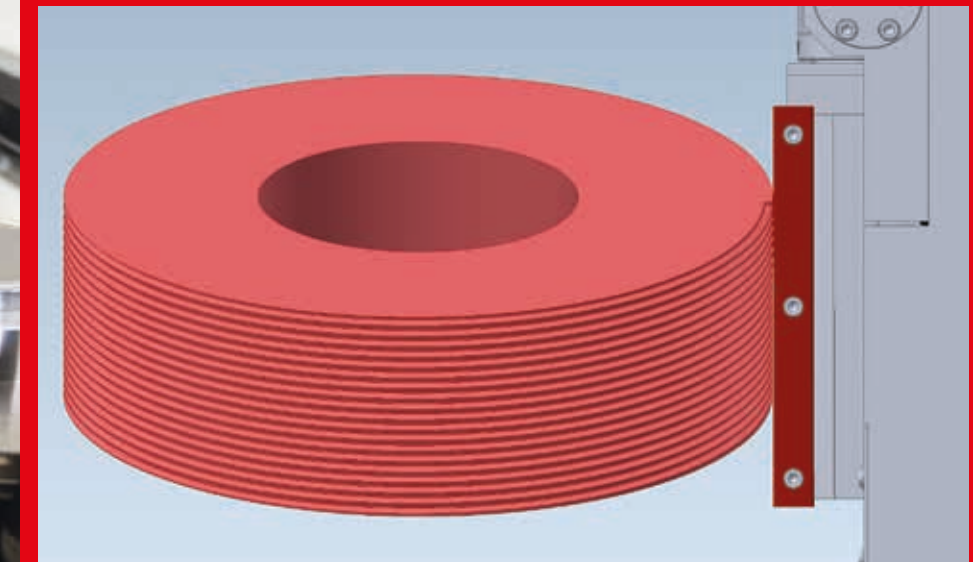
Option: Second profiling spindle



Profiling with double cone dresser



Root fillet with radius dresser



Overdressing and monitoring of the grinding wheel diameter