

**Cost Effectiveness**

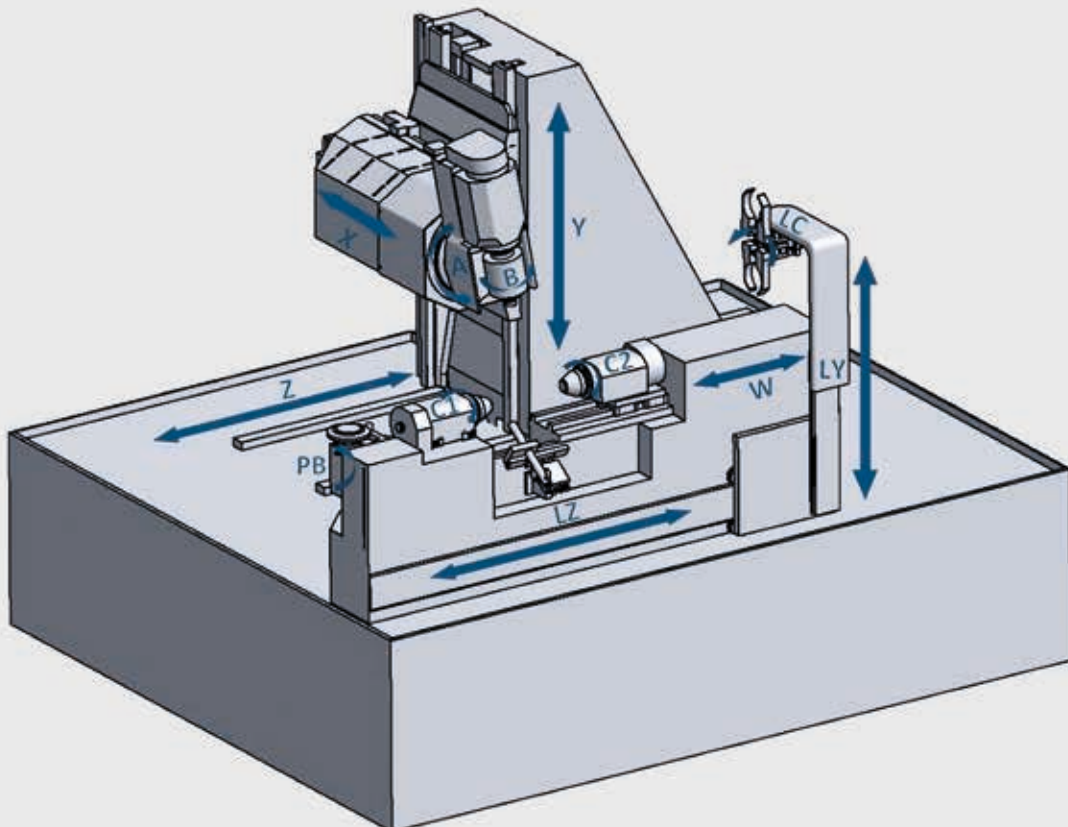
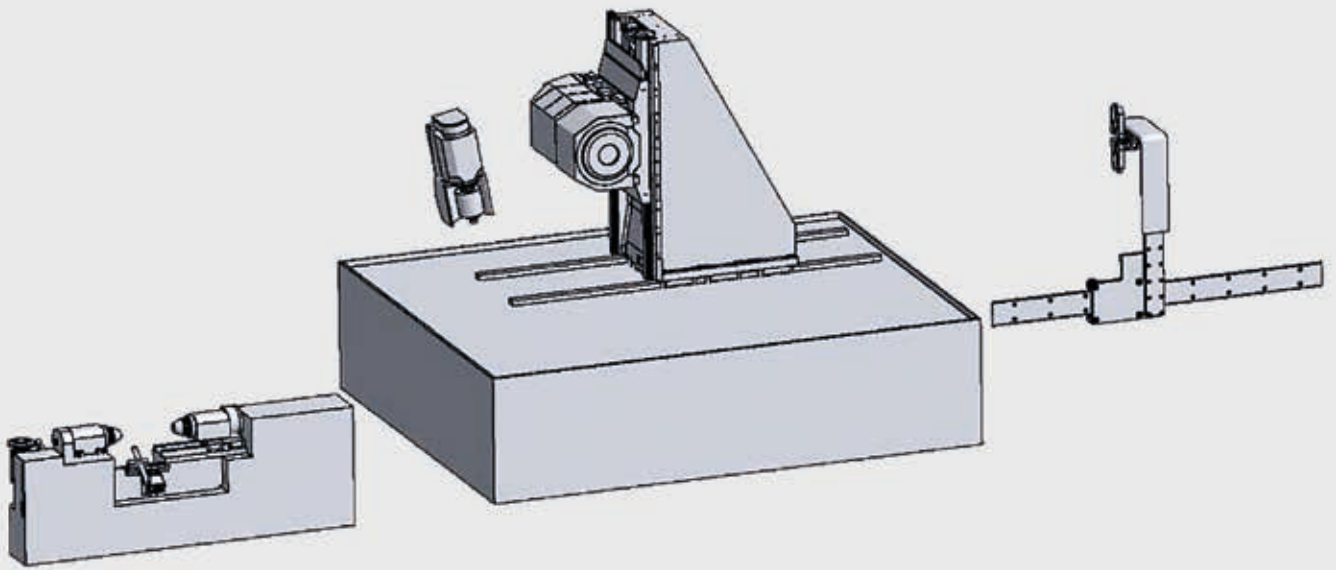
**and Innovation**

**Made in Germany**



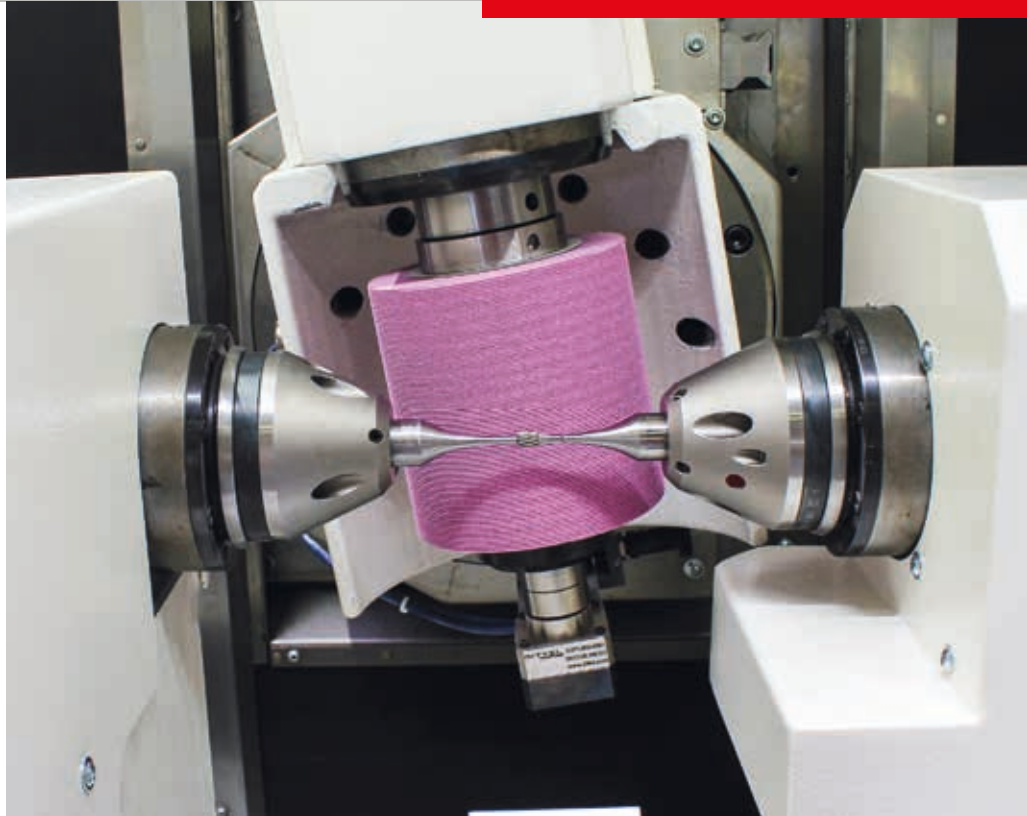
**Gear grinding machine BZ 70 H  
for small workpieces**

The Burri machine concept  
**One platform, many possibilities**



# BZ 70 H

The BZ 70 H gear grinding machine is another innovation of Burri. The machine is designed for very small planet gears and sun gears. Due to the mini grinding worm, very short clamping equipment can be used. The horizontal design allows very fine adjustment of the tailstock center. Two synchronous workpiece spindles eliminate the unstable rotating tailstock centers and guarantee a very effective workpiece driving. The BZ 70 H is the first non-hydraulic gear grinding machine and therefore also the most energy-efficient on the market.



Horizontal design with two synchronous workpiece spindles



Range of parts



Dressing position

## Technical data:

<b>Workpiece Ø:</b>	0 – 70 mm
<b>Module:</b>	0,3 – 2,0 mm*
<b>Helix angle:</b>	+35° bis -35°
<b>Workpiece length:</b>	150 mm
<b>Workpiece weight:</b>	max. 0,5 kg
<b>Workpiece speed (max.):</b>	4.000 rpm

<b>Cutting speed (max.):</b>	80 m/sec.
<b>Grinding wheel Ø (max.):</b>	120 mm
<b>Grinding wheel width:</b>	120 mm
<b>Dressing disc Ø:</b>	120 – 140 mm

\*it's possible to grind into solid, specially for smaller modules





## Our sales network

### Burri Sales Europe

Joachim Hildebrandt  
Hans-Niemeyer-Straße 25  
45133 Essen  
Tel.: +49 (0)201 4306 007  
Fax: +49 (0)201 4306 008  
j.hildebrandt@burri.de

### Burri Italy

Euromedia di Enriore Michele  
Via del Cantone 7  
13020 Breia (VC)  
Tel.: +39 335 631 3160  
michele.enriore@burri.de

### Burri Turkey

D.E.N. Makina Servis  
2040/2 sok. Selçuk  
3 Giriş 4 Daire 46  
Mavişehir/Karşıyaka  
35590 İzmir  
Werner Riessbeck  
Tel.: +90 5368290724  
w.riessbeck@gmail.com

### Burri America (North)

MTB – Machine Tool Builders, Inc.  
7723 Burden Road  
Machesney Park, IL 61115  
United States of America  
Tel.: +1 815 636-7502  
Fax: +1 815 636-5912  
kflowers@machinetoolbuilders.com  
kcwarren@machinetoolbuilders.com

### Burri America (South)

MPD Service  
Indústria e Comércio de Máquinas  
Avenida Roque Gabriel, 1035  
Jardim Morumbi III  
Brazil  
18085-645 Sorocaba - São Paulo  
Tel.: +55 (15) 3228-2885  
mpdservice@mpdservice.com.br  
vendas1@mpdservice.com.br

### Burri Russia

EMAG OOO  
ul. Akademika Chelomeya 3/2  
117630 Moscow  
Tel.: +7 495 287 0960  
Fax: +7 495 287 0962  
iandronov@emag.com  
akekhter@emag.com

### Burri India Private Limited

H-5, Saket Cooperative Housing Society  
Shivthirtnagar  
Office Paud Road  
Shivthirtnagar  
Pune-411038, Maharashtra  
Tel.: +91 98 22 77 51 28  
kedar.katre@burri.de

### Burri China, Taiwan

Corremax International Co., Ltd.  
Rm. 4G-09, 4F, No. 5, Sec. 5, Xinyi Rd.  
Xinyi Dist.  
Taipei City 110  
Tel.: +886 2-2345-2929  
Fax: +886 2-2345-0606  
info@corremax.com.tw  
bob.tsai@corremax.com.tw

### Burri Korea

Leeron Trading Co., Ltd.  
B/1005, Guwoltechnovalley  
Seonsuchongongwon-ro 9  
Namdong-Ku,  
Incheon, 21582  
Tel.: +82-32-446-5030  
Fax: +82-32-446-5029  
leeron93@hanmail.net



### Burri Werkzeugmaschinen GmbH & Co. KG

Im Wasen 9 | 78667 Villingendorf  
Tel.: +49 (0)741 1748898-0 | Fax: +49 (0)741 1748898-22  
E-Mail: info@burri.de | vertrieb@burri.de | www.burri.de